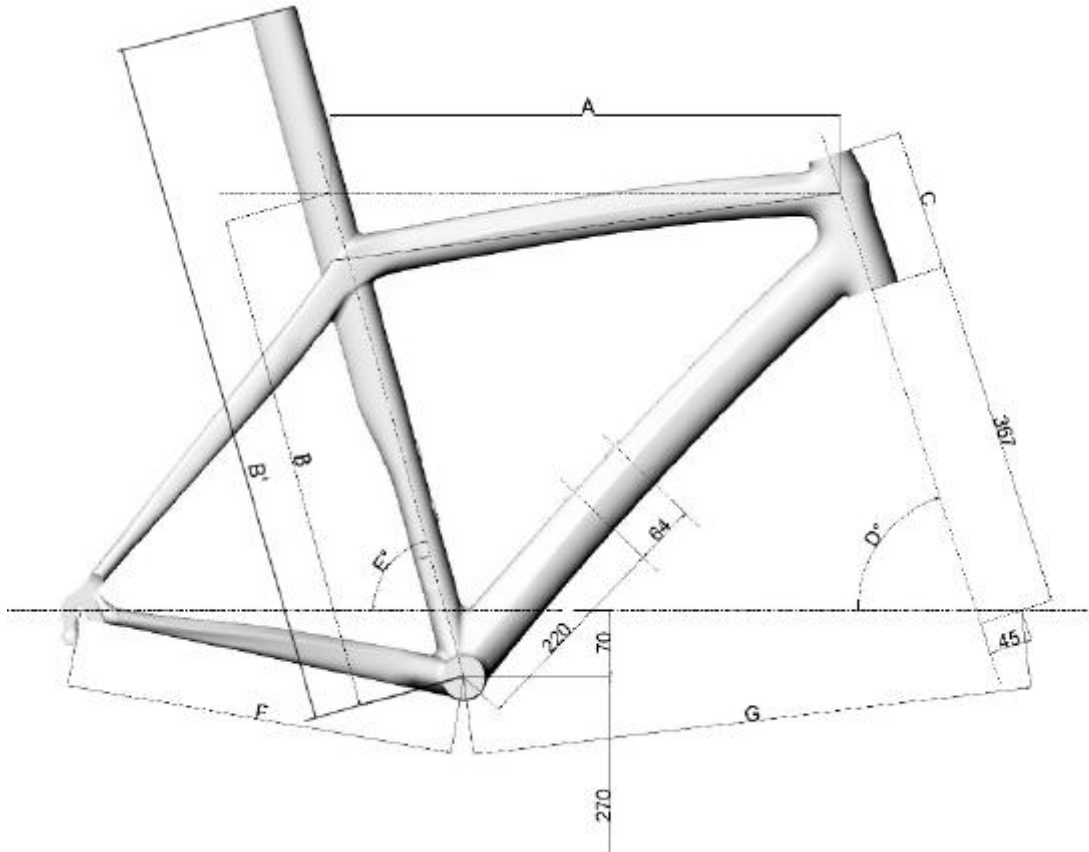


# AURA

## IONOS



Size	A	B/B'	C	D	E	F	G
<b>XS</b>	505	488 / 690	106	71.5°	75°	407	565
<b>S</b>	525	501 / 690	120	71.5°	74.5°	407	576
<b>M</b>	535	526 / 730	147	72°	74.5°	407	588
<b>L</b>	550	556 / 750	173	72°	73.5°	410	594
<b>XL</b>	580	570 / 780	186	73°	73°	410	610

The IONOS road frame has an integrated seat post and an oversized fork which provides an amazingly light and stiff frame. This is our frame for people looking to push their personal limits at the local club rides, when racing, or sprinting against friends for the next town sign.

- Monocoque Frame & Fork in high modulus IM600 Carbon Fibre
- Integrated Seat Post
- Carbon Dropouts on frame and forks
- Medium Frame weight 950g
- Fork weight 330g

<b>Headset Size</b>	1 1/8" – 1 1/2"	<b>Mech Hanger Size</b>	34.9mm
<b>Headset Type</b>	Internal Cups	<b>Front Mech Type</b>	Bottom Pull
<b>Bottom Bracket Type</b>	BSA		